

For reference only. See data sheet for the detailed specifications.

Technical Specification



Frequency Range(GHz)	4.0 – 40.0	
Gain(dBi)	12 Typ.	
Polarization	Dual Linear	
3dB Beamwidth(deg)	E Plane:	85 - 28
	H Plane:	94 - 18
Cross Pol. Isolation(dB)	30 Typ.; 20 Min.	
Port to Port Isolation(dB)	30 Typ.; 20 Min.	
VSWR	1.5:1 Typ.	
	2.5:1 Max.	
Connector	2.92mm-Female or 2.4mm-Female	
Power Handling(W CW)	2.92mm-Female:	20 Max.
	2.4mm-Female:	10 Max.
Material	Al	
Finish	Chemical Conversion Coating	
Size(mm)	54.5 x 54.5 x 90	
Net Weight(Kg)	0.15 Around	

PATENT ID (US)

US D975690

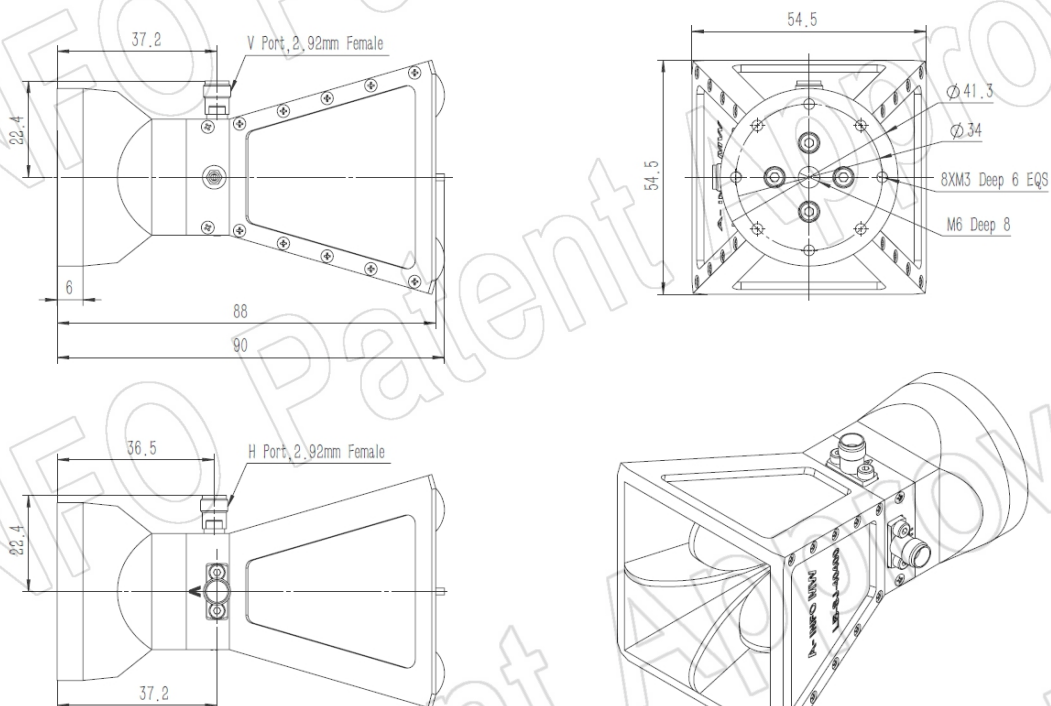
PATENT ID (China)

ZL201930459258.1

Outline Drawing (Size: mm)

2.92mm-Female Output (P/N: LB-SJ-40400-KF)

For 2.4mm-Female output outline drawing, please contact A-INFO.



AINFO Inc.

China(Beijing):
China(Chengdu):
USA :

Tel: (+86) 10-6266-7326,
Tel: (+86) 28-8519-2786,
Tel: (+1) 949-639-9688,

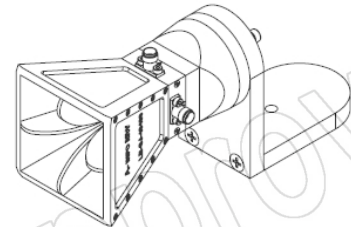
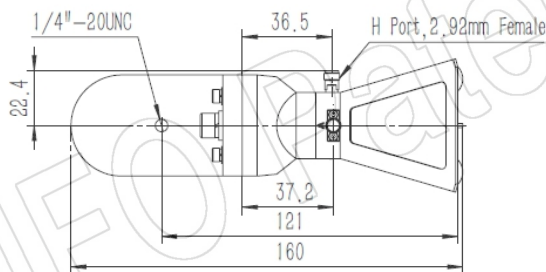
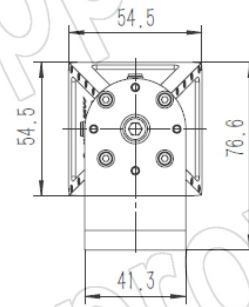
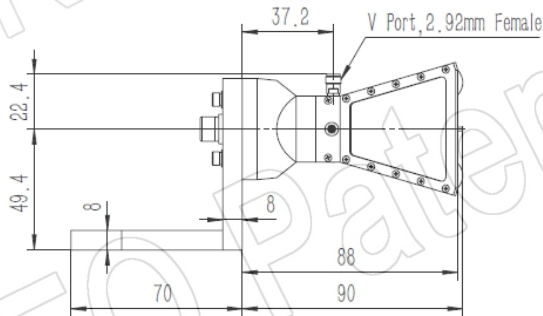
(+86) 10-6266-7327
(+86) 28-8519-3044
(+1) 949-639-9608

Fax: (+86) 10-6266-7379
Fax: (+86) 28-8519-3068
Fax: (+1) 949-639-9670

Website: www.ainfoinc.com
Email: sales@ainfoinc.com

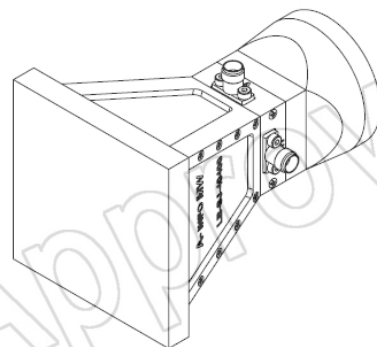
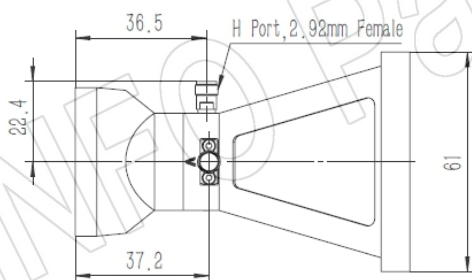
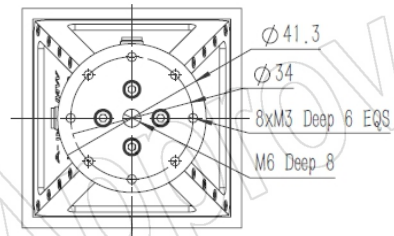
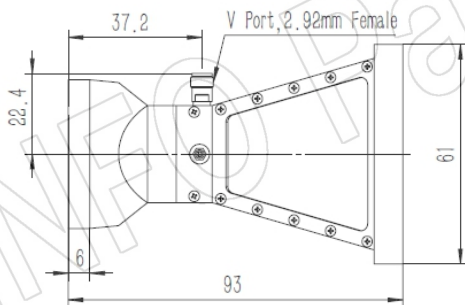
2.92mm-Female Output with L Type Mounting Bracket (Option, P/N: LB-20180-L)

For 2.4mm-Female output outline drawing, please contact A-INFO.



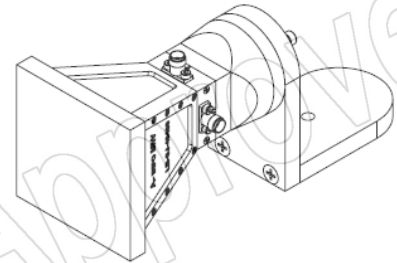
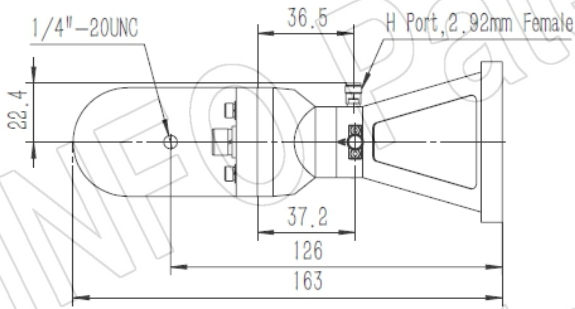
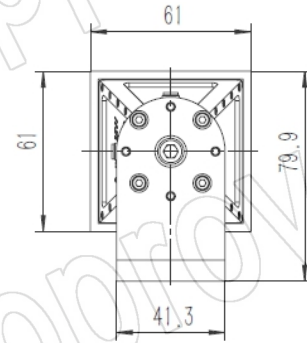
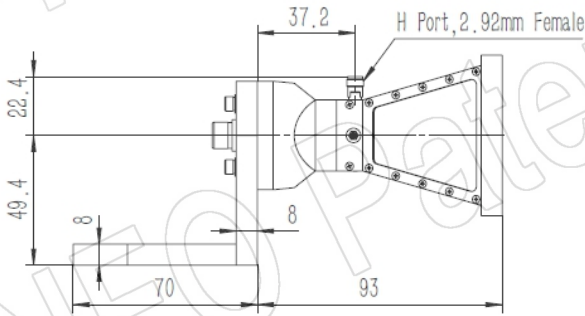
2.92mm-Female Output with Radome (Option, P/N: LB-SJ-40400-KFSPO, Outdoor Application)

For 2.4mm-Female output outline drawing, please contact A-INFO.



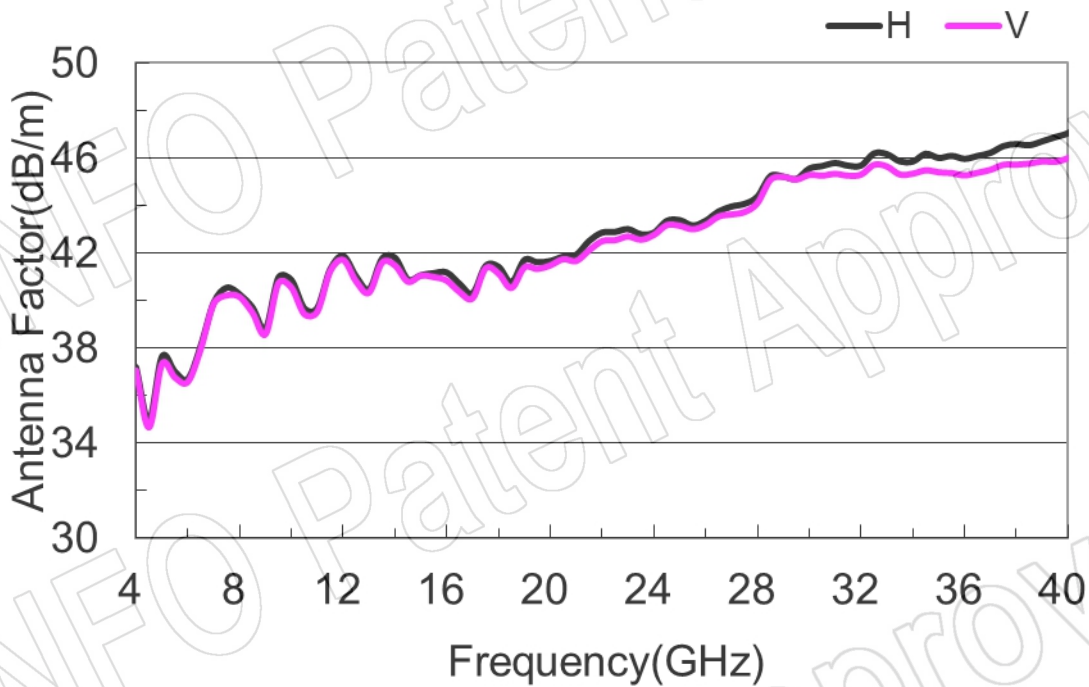
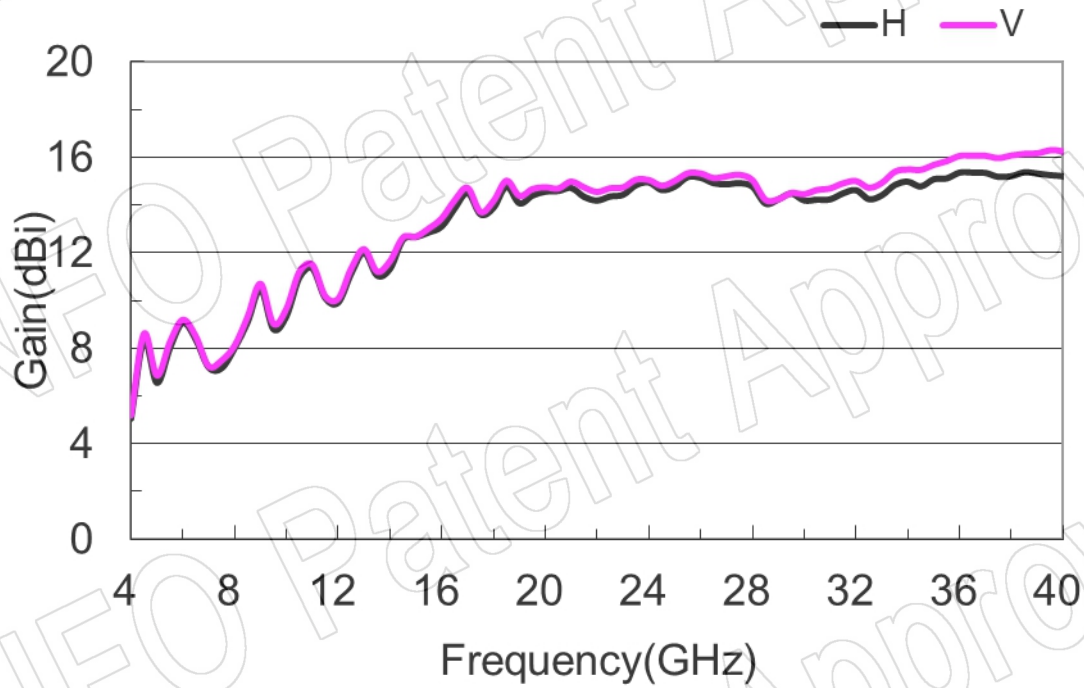
2.92mm-Female Output with L Type Mounting Bracket & Radome (Option, P/N: LB-20180-L & LB-SJ-40400-KFSPO, Outdoor Application)

For 2.4mm-Female output outline drawing, please contact A-INFO.

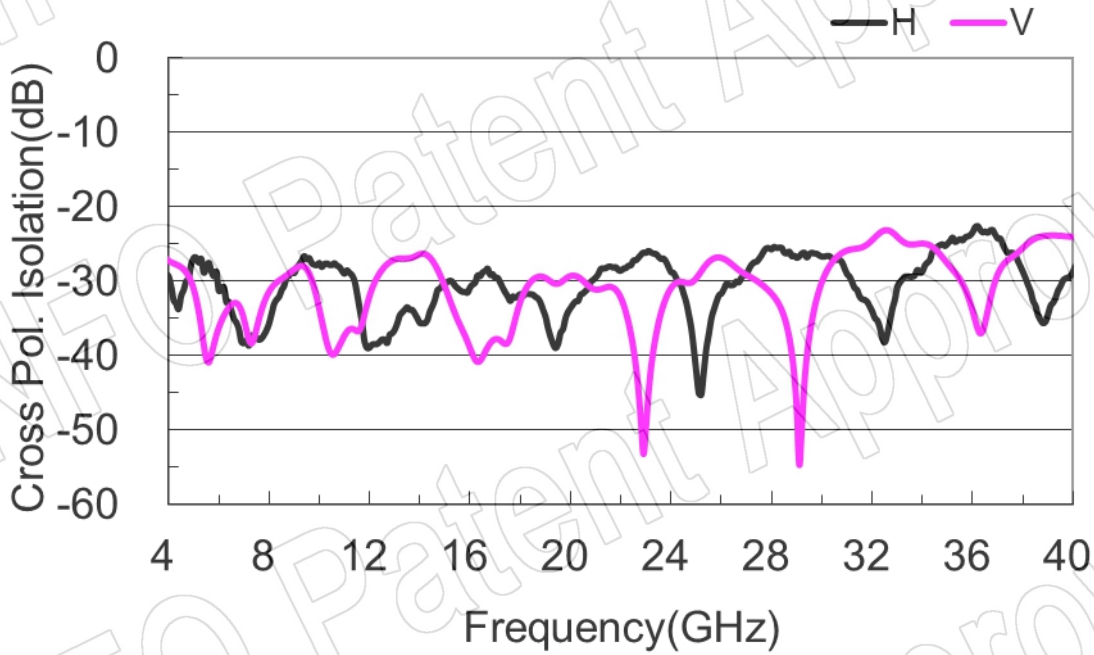


Test Results

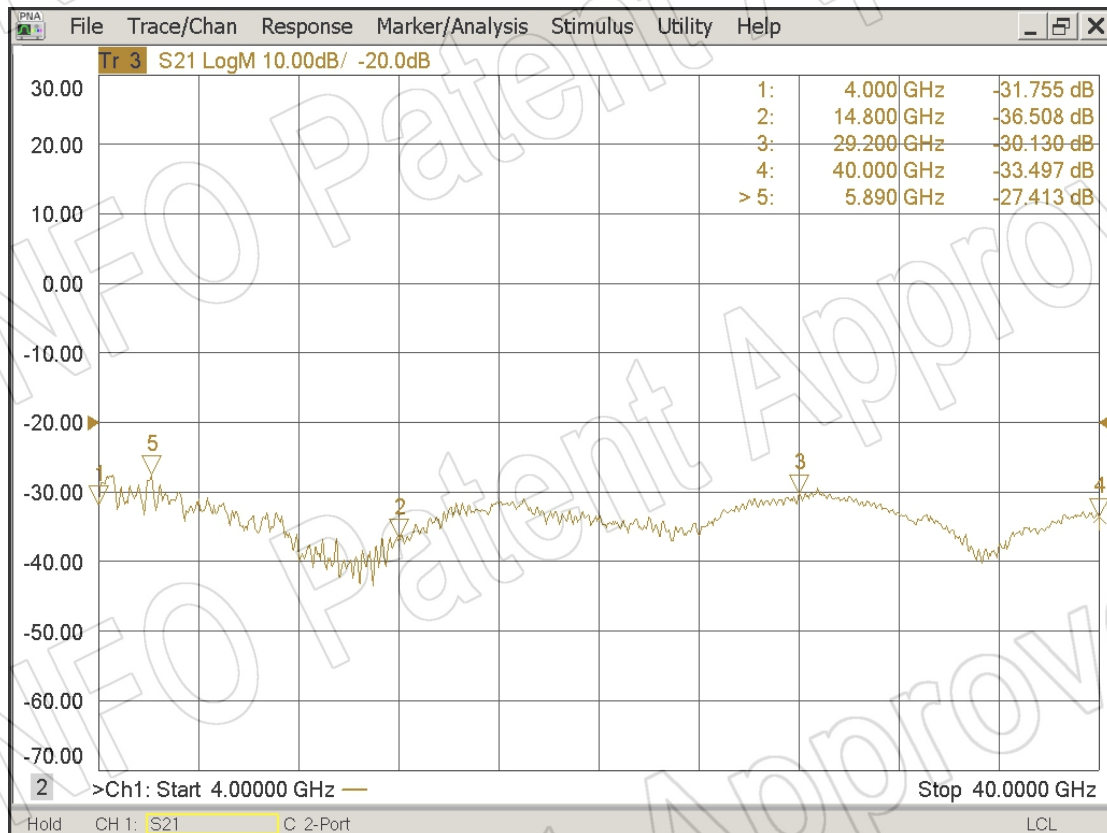
1. Gain & Antenna Factor



2. Cross Polarization Isolation

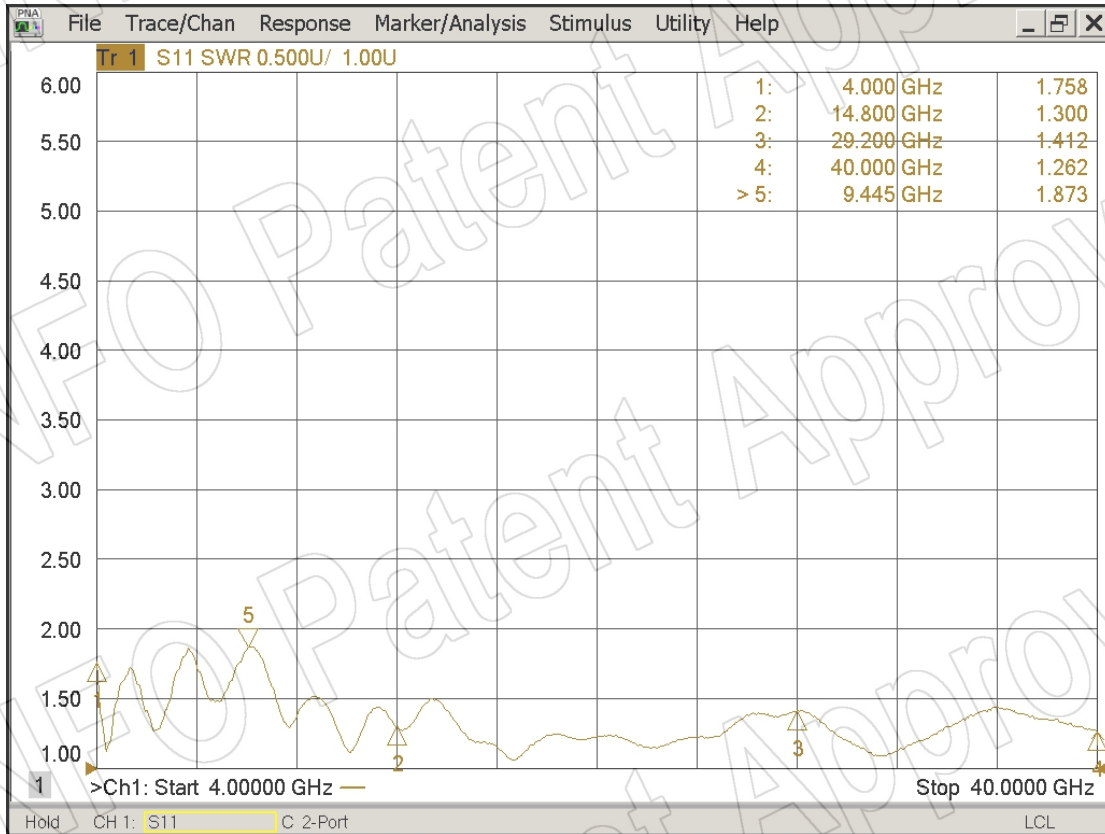


3. Port to Port Isolation

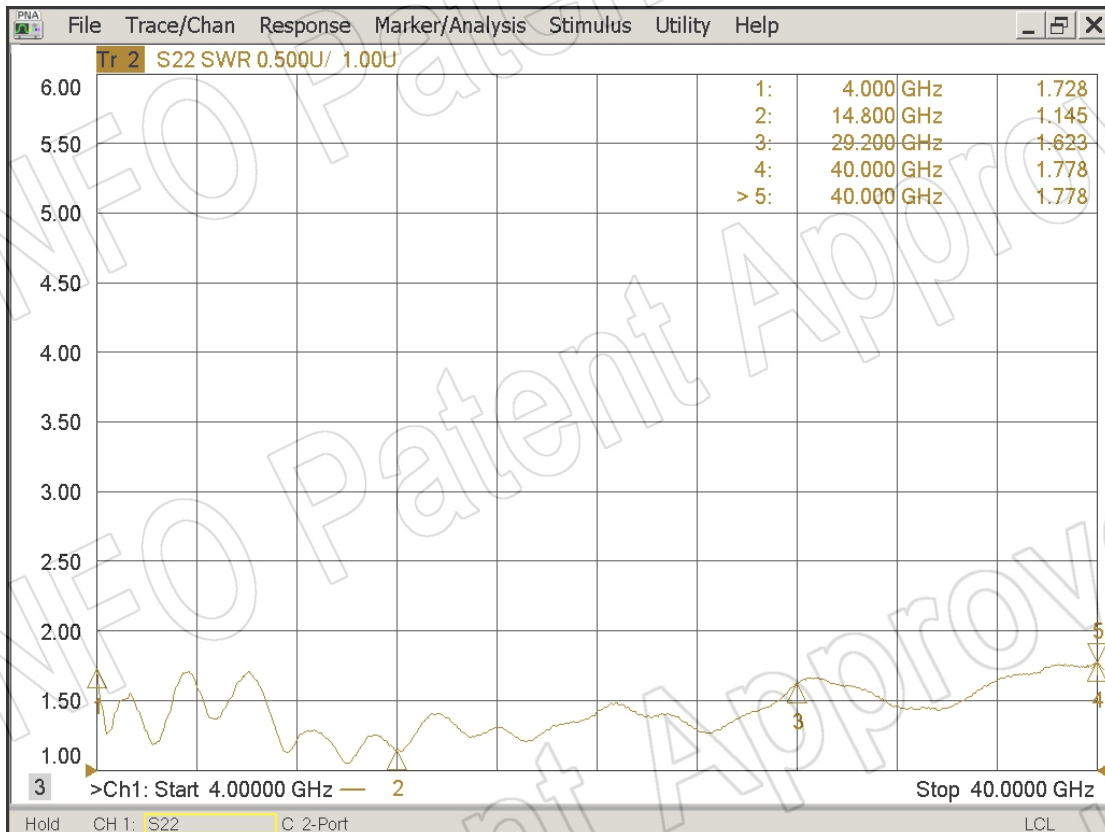


4. VSWR

Port-H



Port-V



5. Pattern

